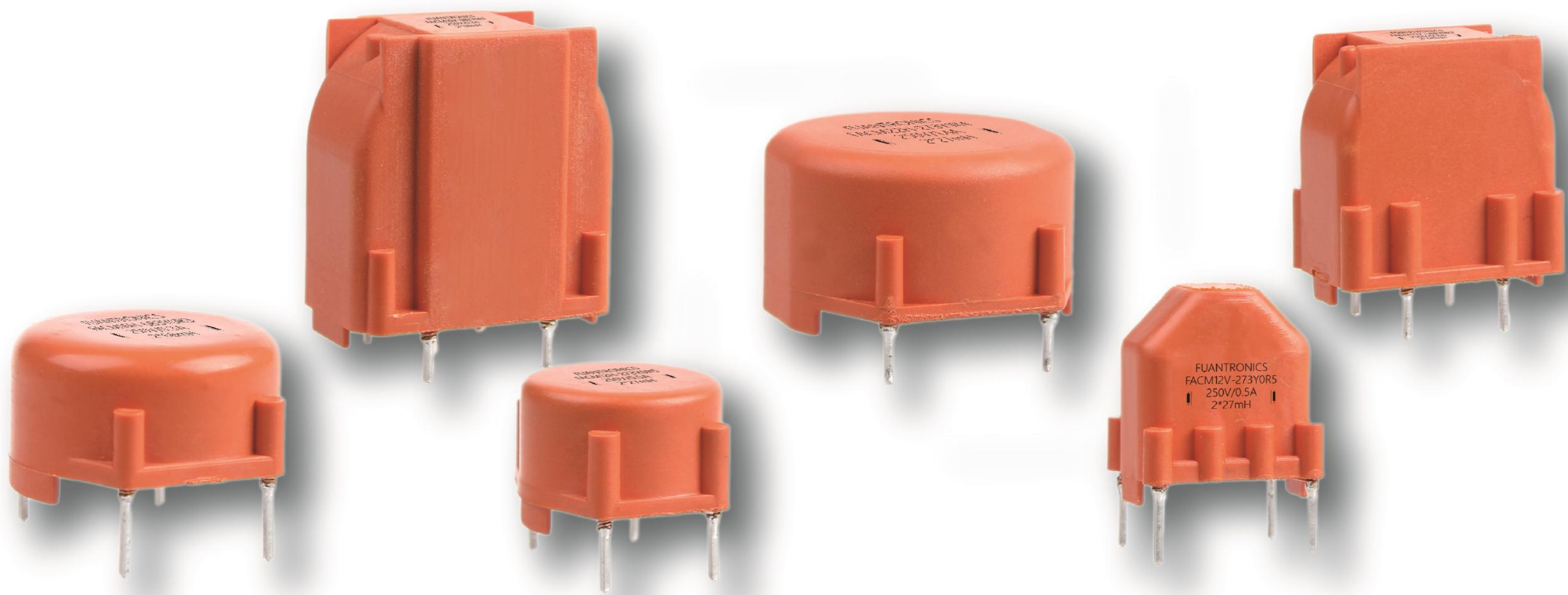


# Ring Core Chokes for Power Lines



## Series FACM12-H-V

$L_R$	mH	39	27	10	6.8	3.3	1	0.4	0.2
$I_R$	A	0.4	0.5	0.7	1.2	1.5	2.0	3.6	6.0
$L_{\text{stray, typ}}$	$\mu\text{H}$	450	290	110	80	37	13	6	2.5
$R_{\text{typ}}$	$\text{m}\Omega$	2000	1100	550	280	180	80	35	15
$T_R$	$^{\circ}\text{C}$	40	60	60	40	40	40	40	40
UL/VDE		yes	yes	yes	yes	yes	yes	yes	yes
Ordering code FACM12		393Y0R4	273Y0R5	103Y0R7	682Y1R2	332Y1R5	102Y2R0	301Y4R0	201Y6R0

n Rated current:  $I_R$  at 50 Hz and  $T_R$

n Rated voltage: 250 VAC (50/60 Hz)

n Higher inductance or intermediate values possible upon request

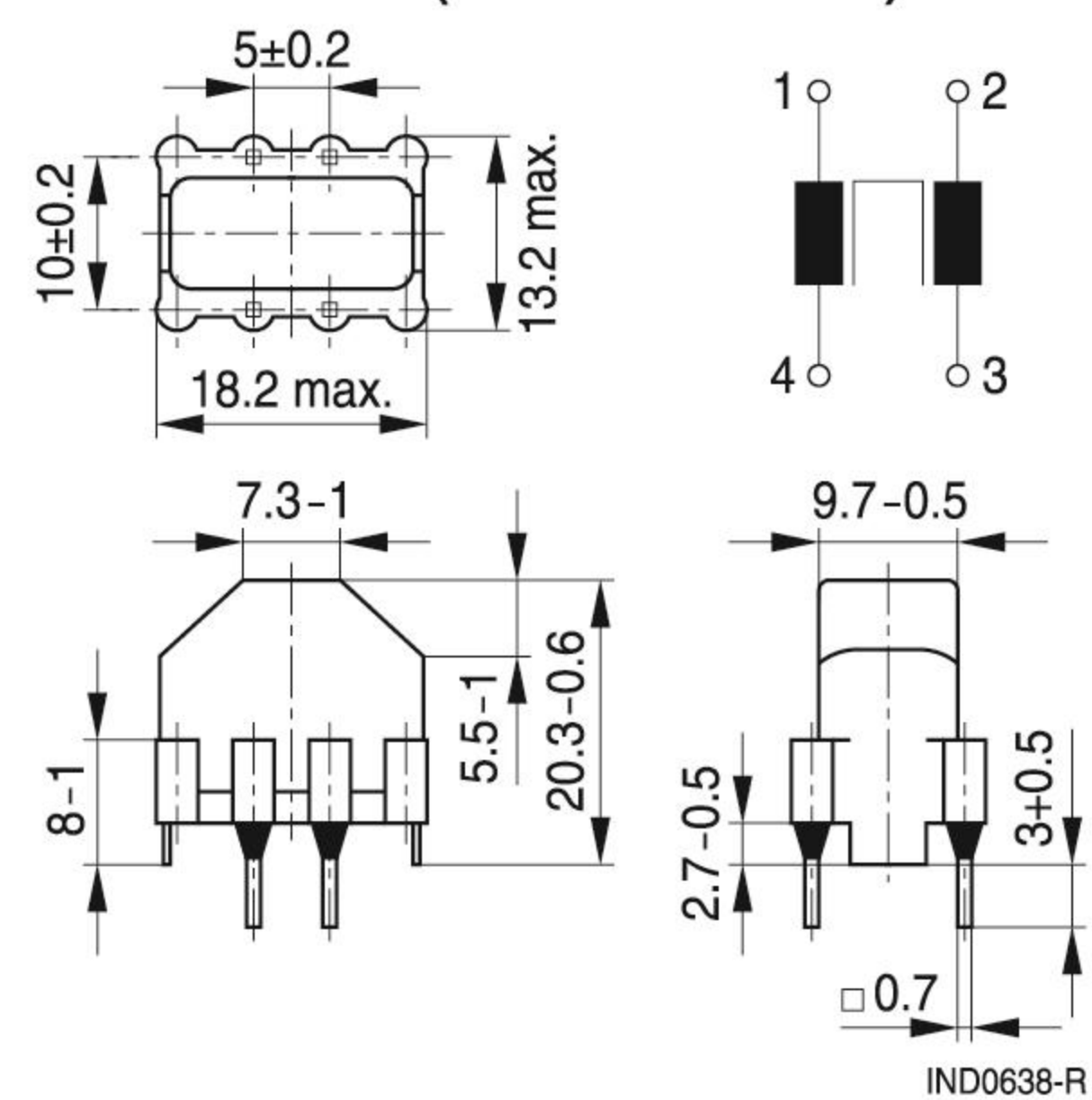
n Approx. 1% stray inductance for symmetrical interference suppression

n Higher rated current  $I_R$  available with series FACM16-26

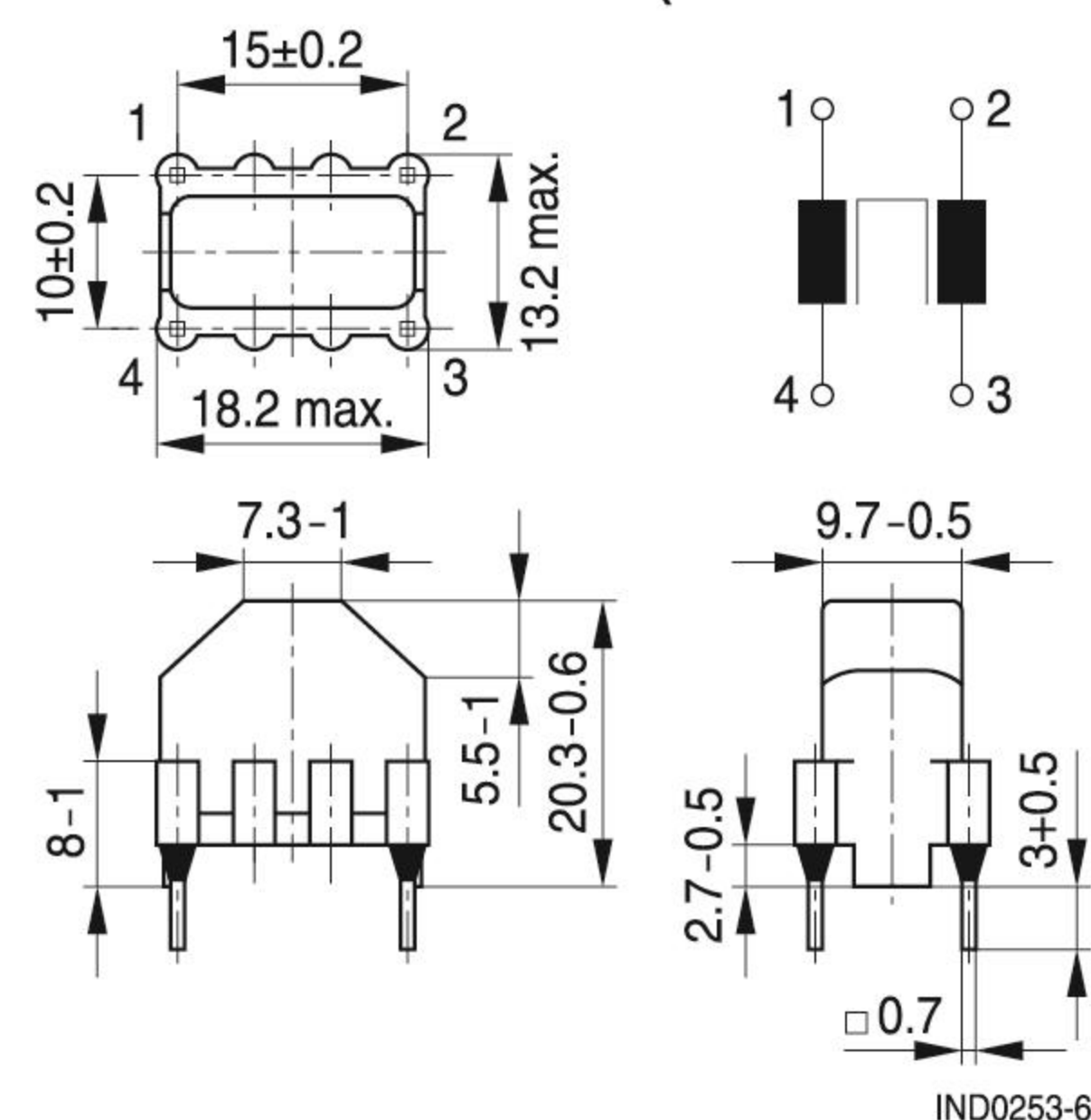
n Vertical version with lead spacing 5 x 10 mm available FACM12

### Dimensional drawings and pin configurations

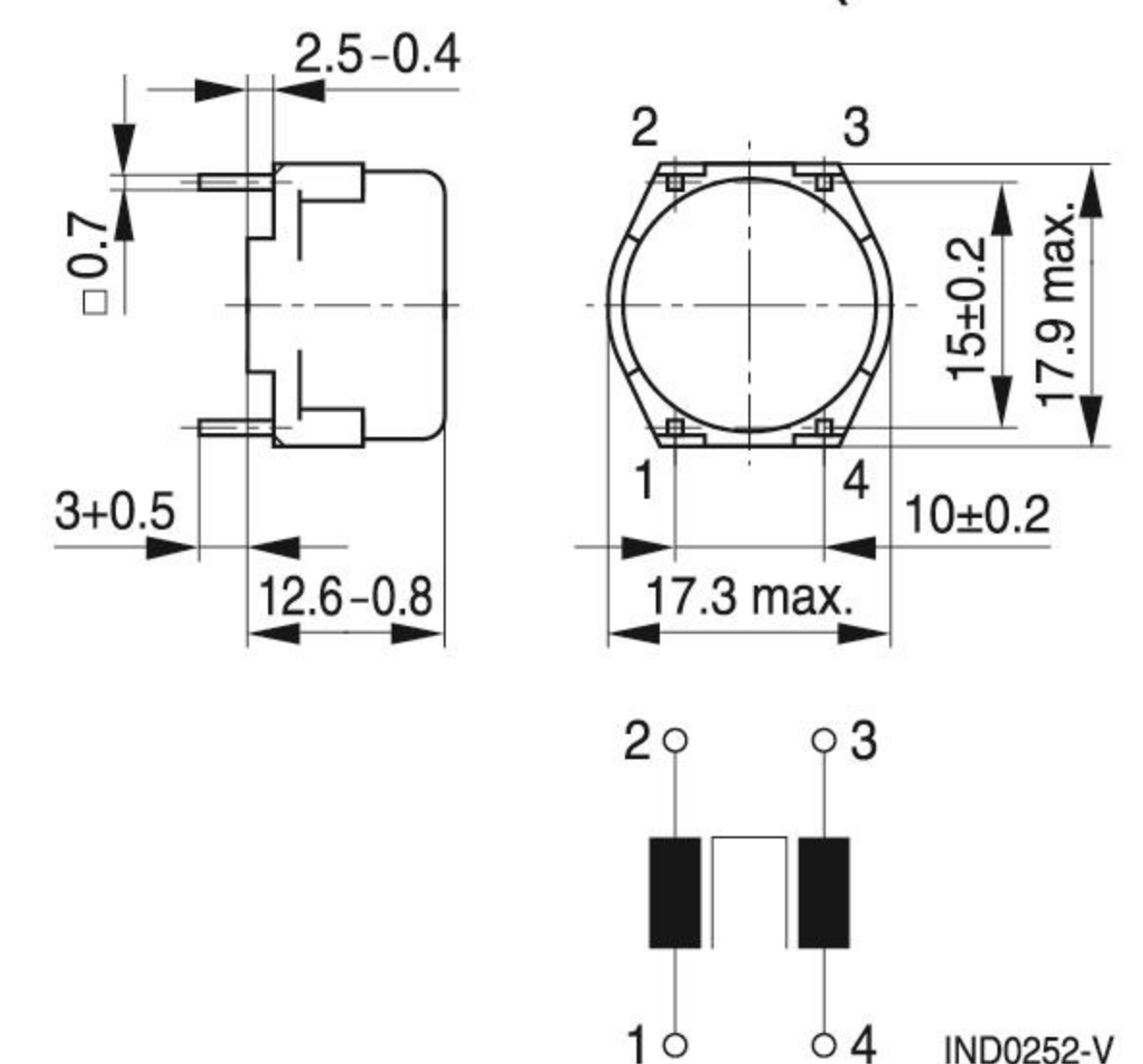
Vertical version (FACM12-V1)



Vertical version (FACM12-V2)

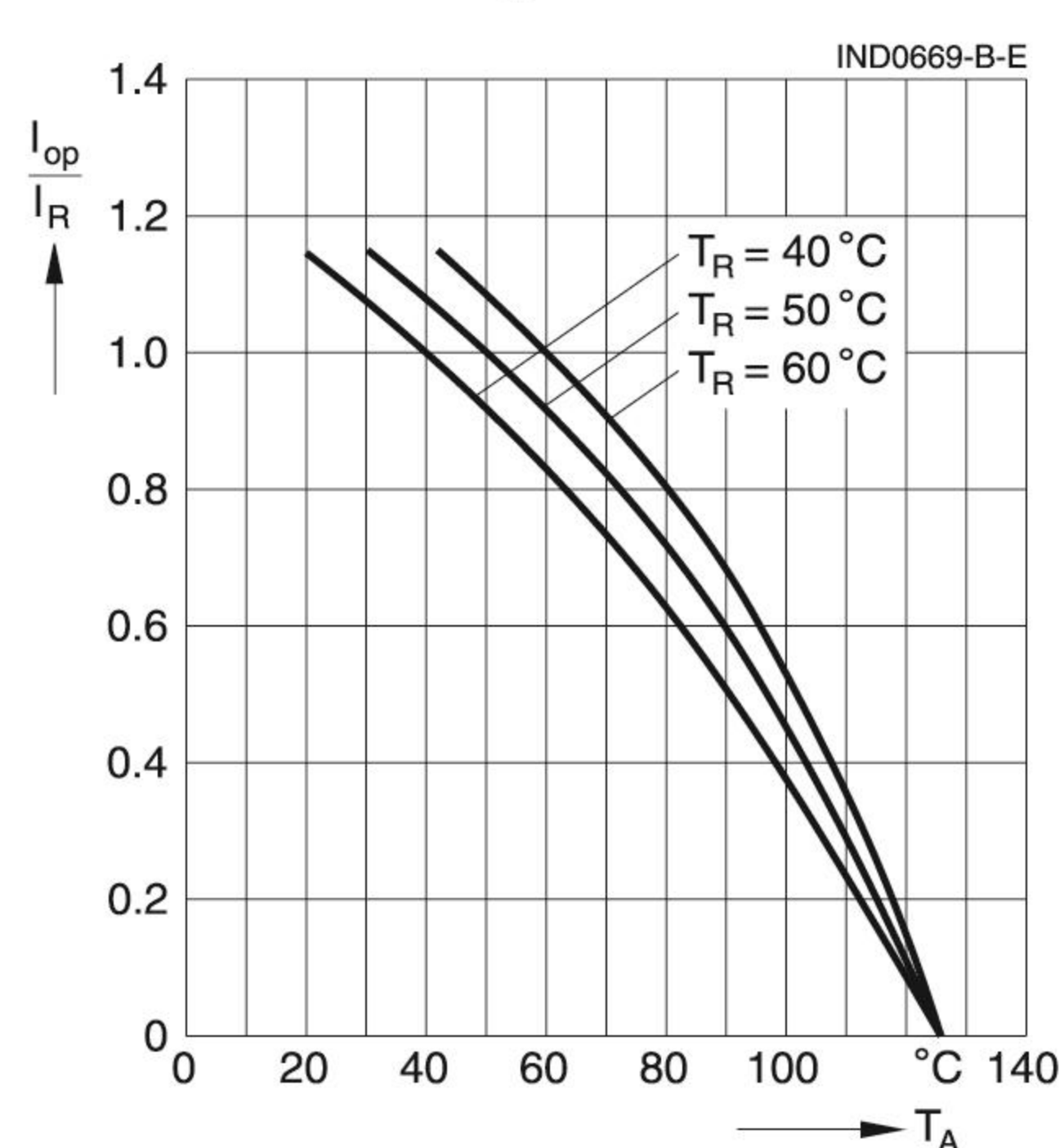


Horizontal version (FACM12-H)

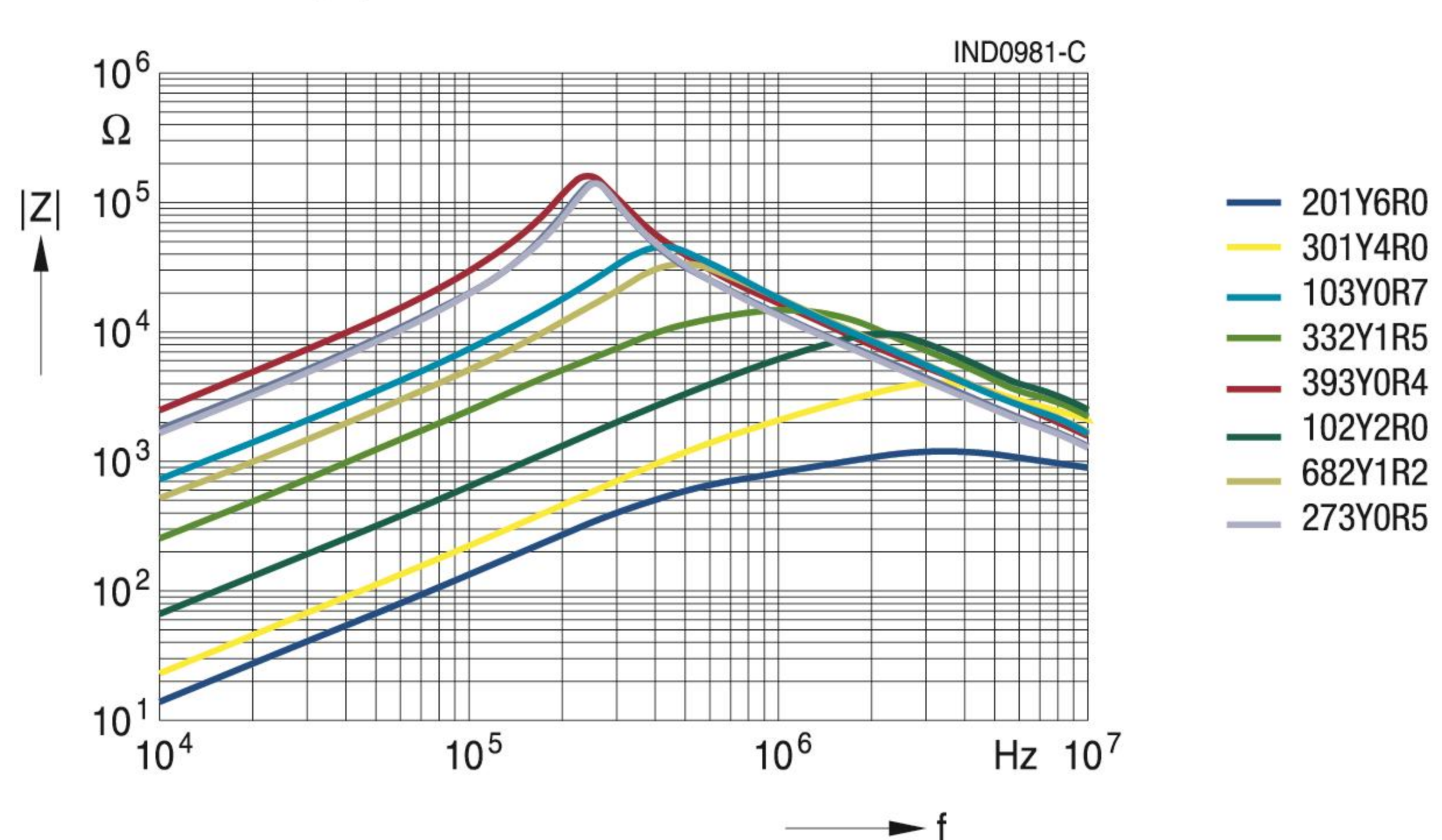


Tolerances to ISO 2768-C unless otherwise noted. Dimensions in mm.

### Current derating $I_{op}/I_R$ versus temperature T



### Impedance $|Z|$ versus frequency f



**FUAN ELECTRONICS**

EML: [sales@fuantronics.net](mailto:sales@fuantronics.net) | TEL: +86(514)8769-3589 | WEB: [www.fuantronics.net](http://www.fuantronics.net)



# Series FACM16-H-V

$L_R$	mH	1.2	1.7	2.2	10	6.8	27	47
$I_R$	A	3	2.5	2	1.5	1.3	0.5	0.3
$L_{stray, typ}$	uH	17	20	30	90	90	350	700
$R_{typ}$	m $\Omega$	56	80	130	240	230	1200	2500
$T_R$	$^{\circ}C$	60	60	60	60	60	60	60
UL <sup>1)</sup> /VDE		yes	yes	yes	yes	yes	yes	yes
Ordering code	FACM16	122Y3R0	172Y2R5	222Y2R0	103Y1R5	682Y1R3	273Y0R8	473Y0R5

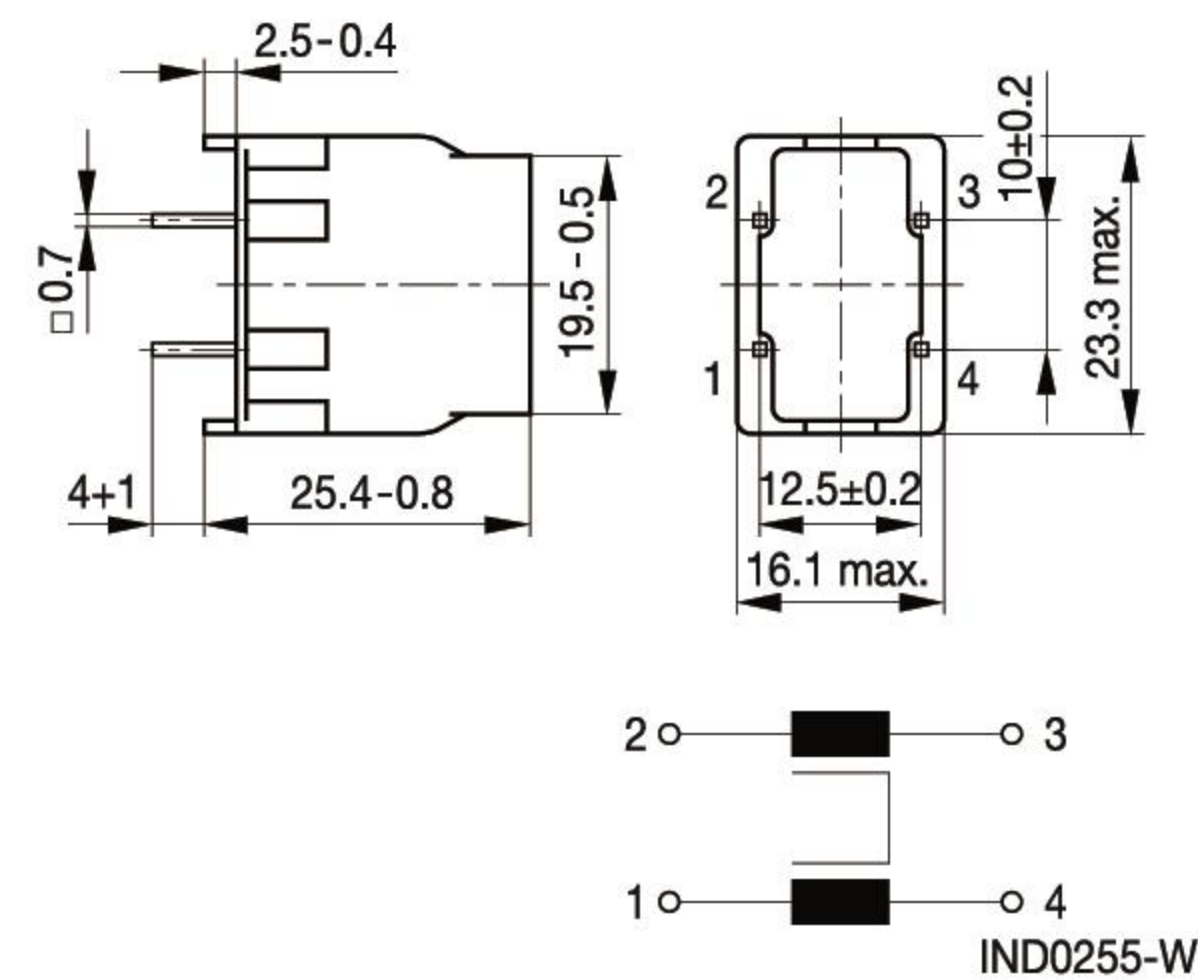
- Rated current:  $I_R$  at 50 Hz and  $T_R$
- Rated voltage: 250 VAC (50/60 Hz)
- Higher inductance or intermediate values possible upon request

- Approx. 1% stray inductance for symmetrical interference suppression
- Higher rated current  $I_R$  available with series FACM18-26

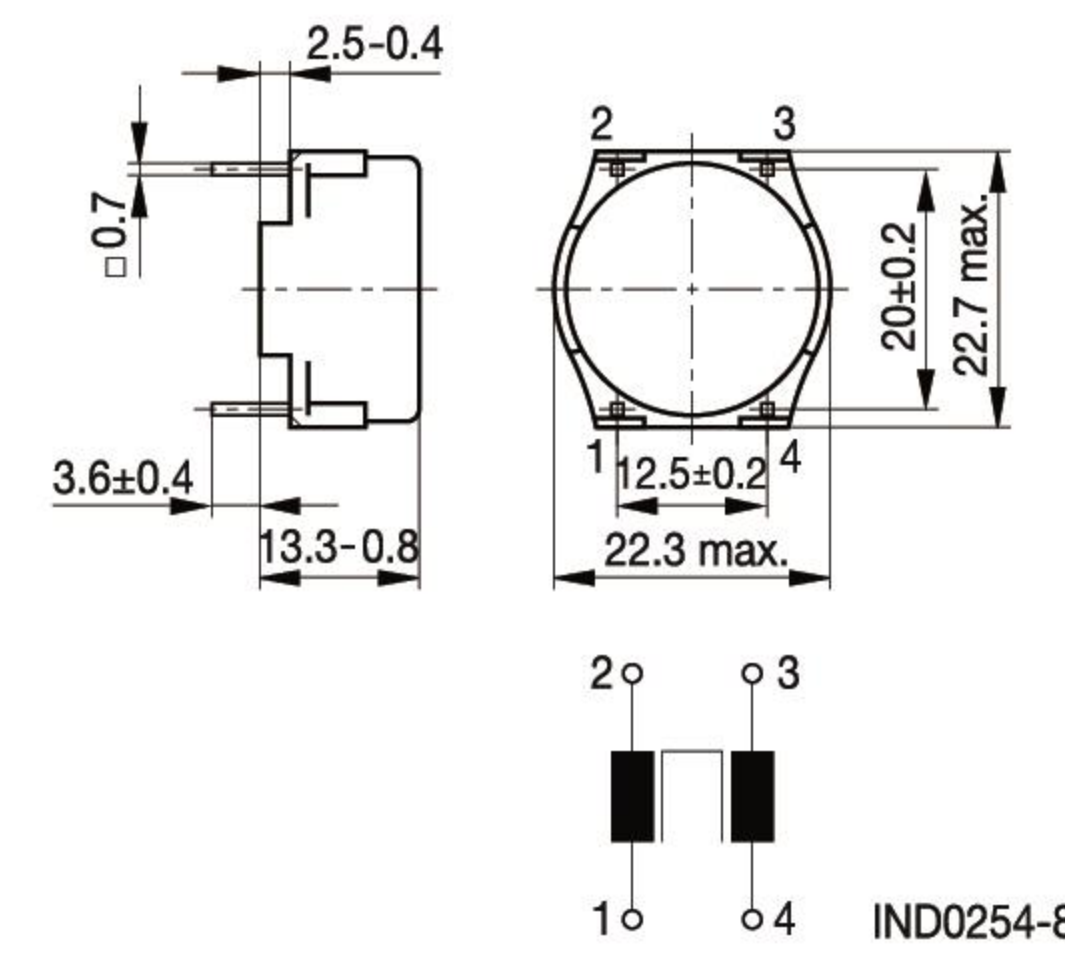
<sup>1)</sup> UL approval with 300 VAC

## Dimensional drawings and pin configurations

Vertical version FACM16V

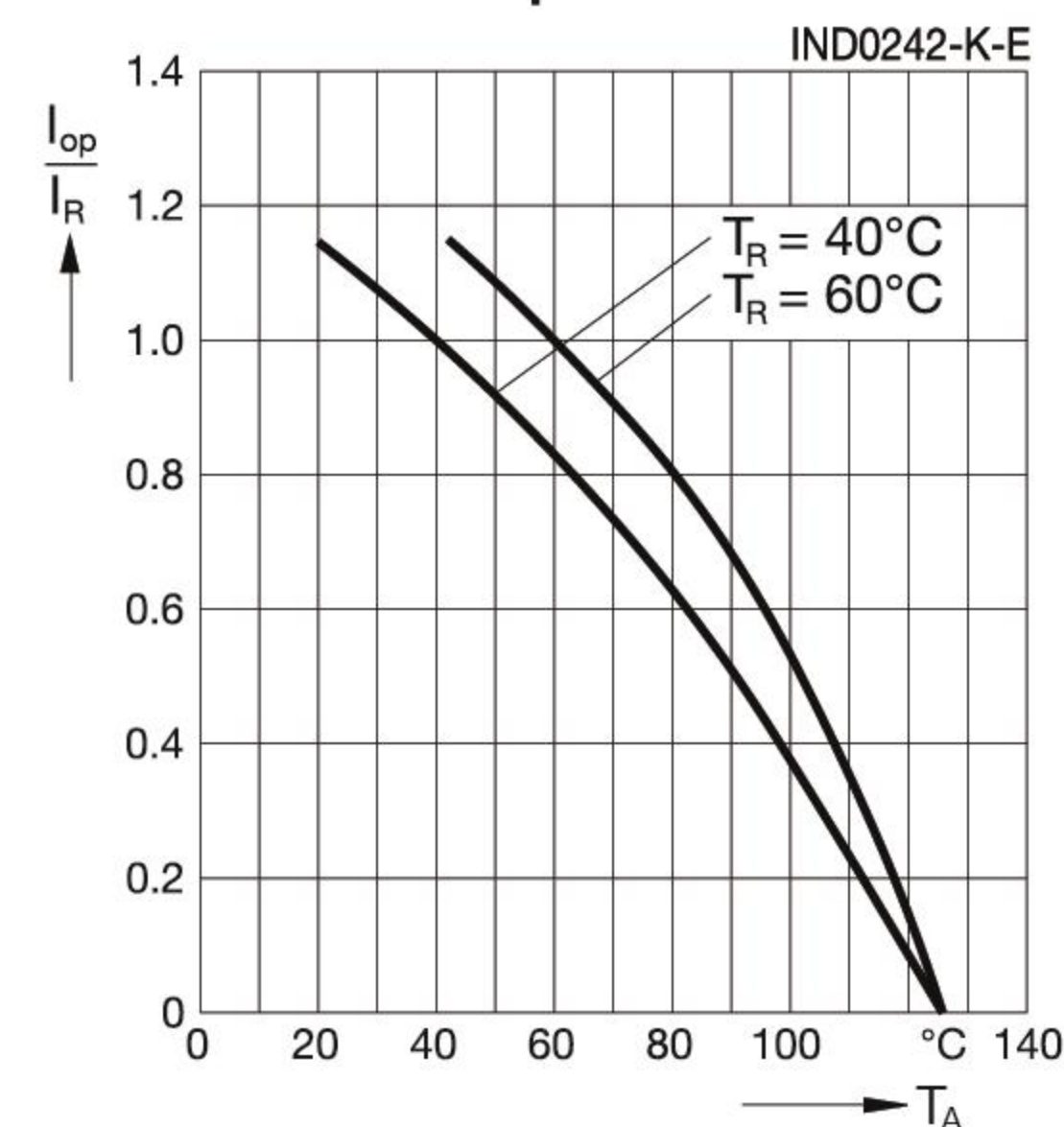


Horizontal version FACM16H

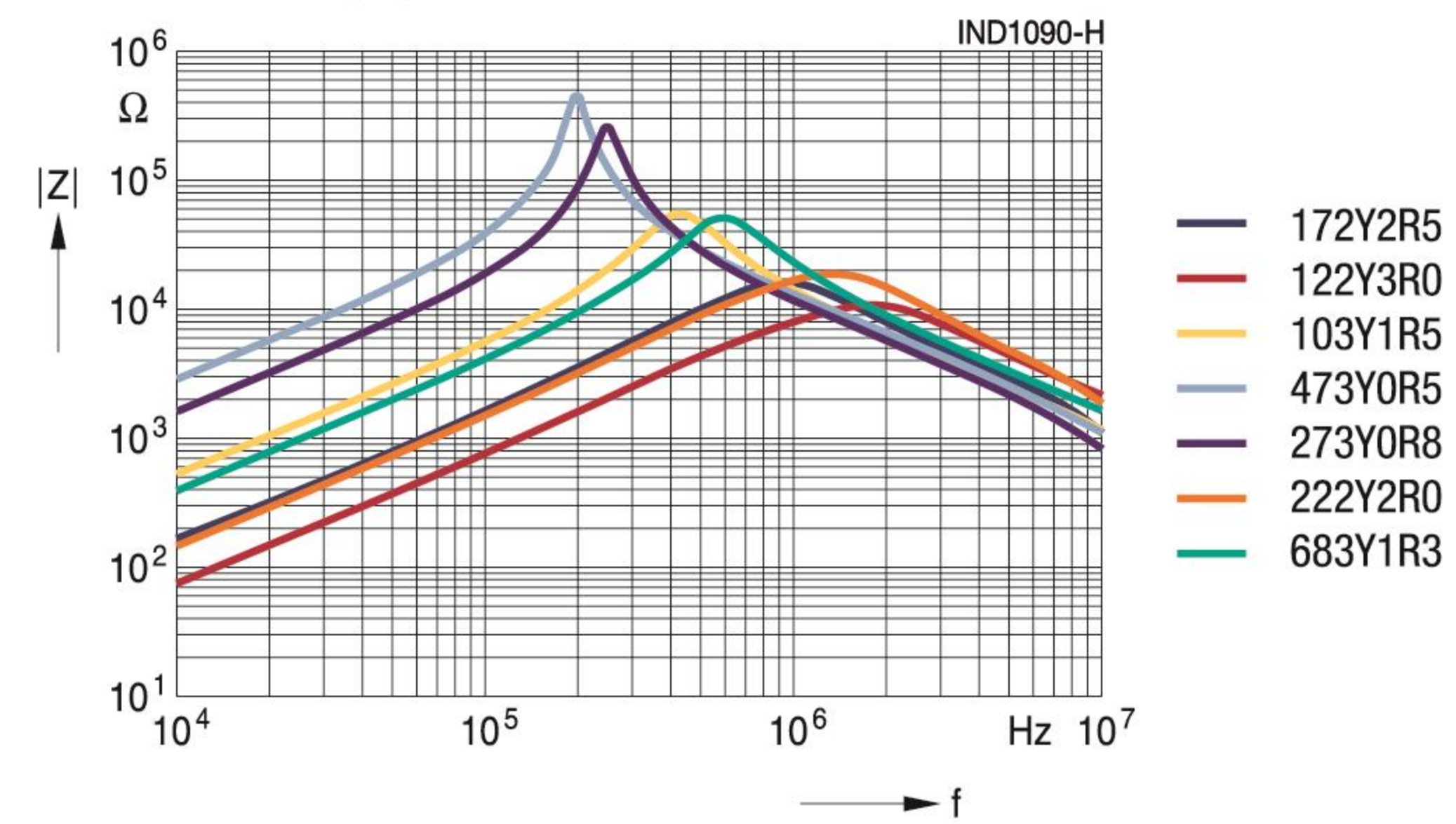


Tolerances to ISO 2768-C unless otherwise noted. Dimensions in mm.

## Current derating $I_{op}/I_R$ versus temperature T



## Impedance $|Z|$ versus frequency f



# Series FACM22-H-V

$L_R$	mH	56	27	5.6	2.7	0.45
$I_R$	A	0.5	1	2	4	8
$L_{stray, typ}$	uH	800	440	70	30	5
$R_{typ}$	m $\Omega$	2100	750	160	60	11
$T_R$	$^{\circ}C$	60	60	60	60	60
UL <sup>1)</sup> /VDE		Yes	Yes	Yes	Yes	Pending
Ordering code	FACM22	563Y0R5	273Y1R4	562Y2R0	272Y4R0	451Y8R0

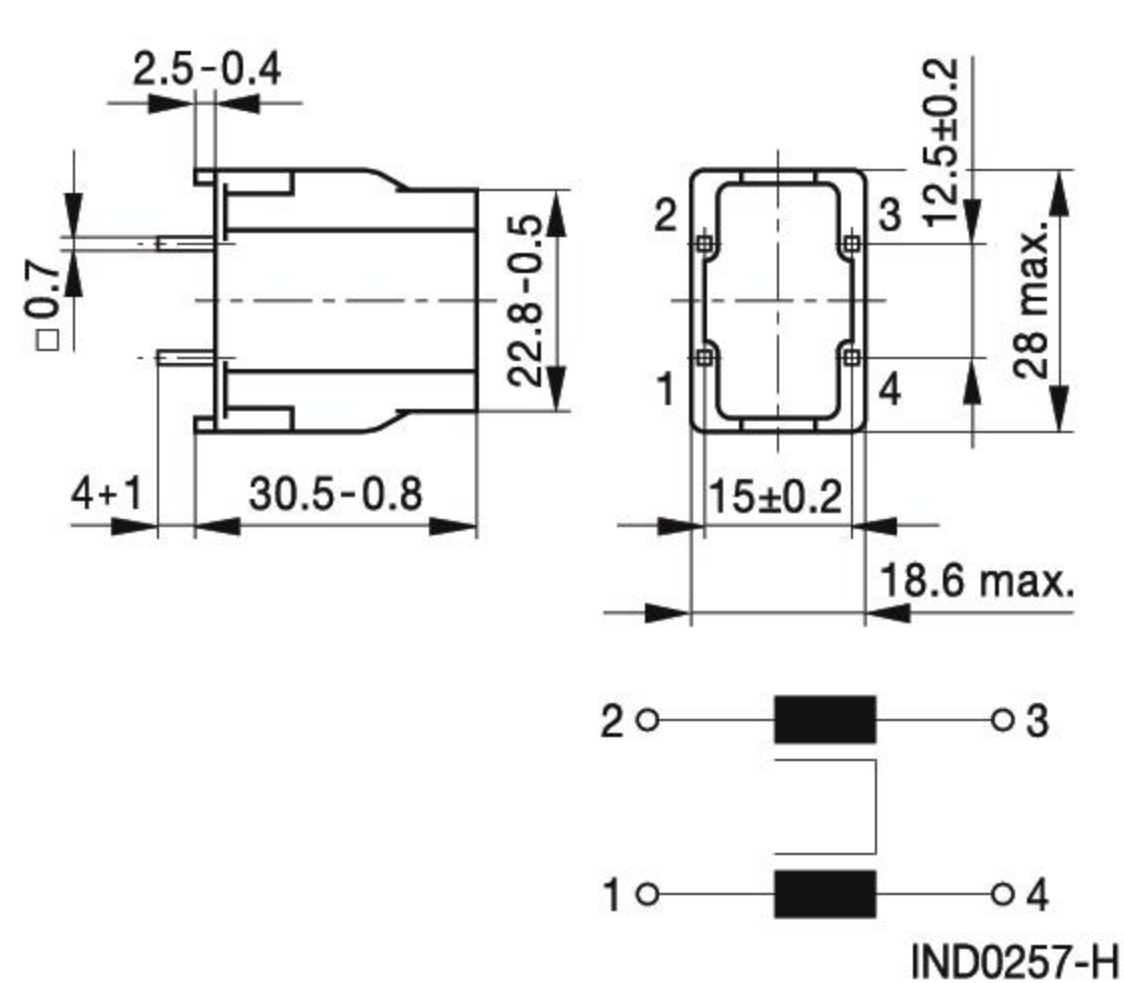
- Rated current:  $I_R$  at 50 Hz and  $T_R$
- Rated voltage: 250 VAC (50/60 Hz)
- Higher inductance or intermediate values possible upon request

- Approx. 1% stray inductance for symmetrical interference suppression
- Higher rated current  $I_R$  available with series FACM24-26

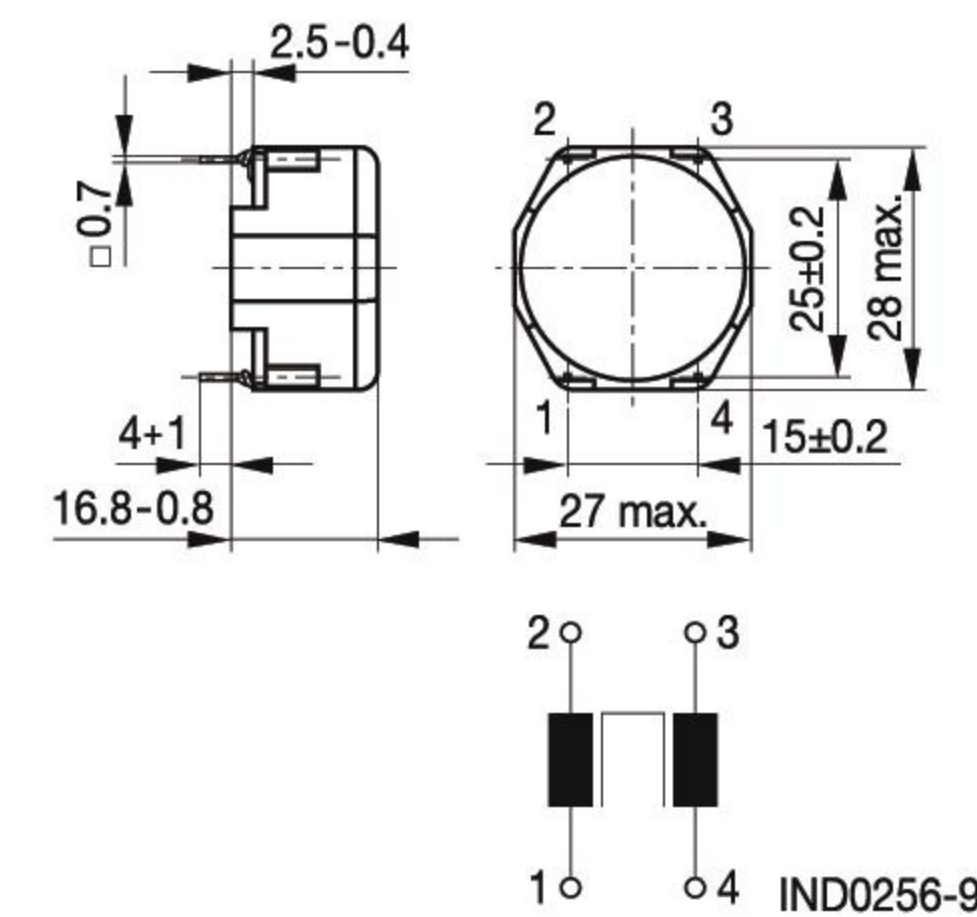
<sup>1)</sup> UL approval with 300 VAC

## Dimensional drawings and pin configurations

Vertical version FACM22V

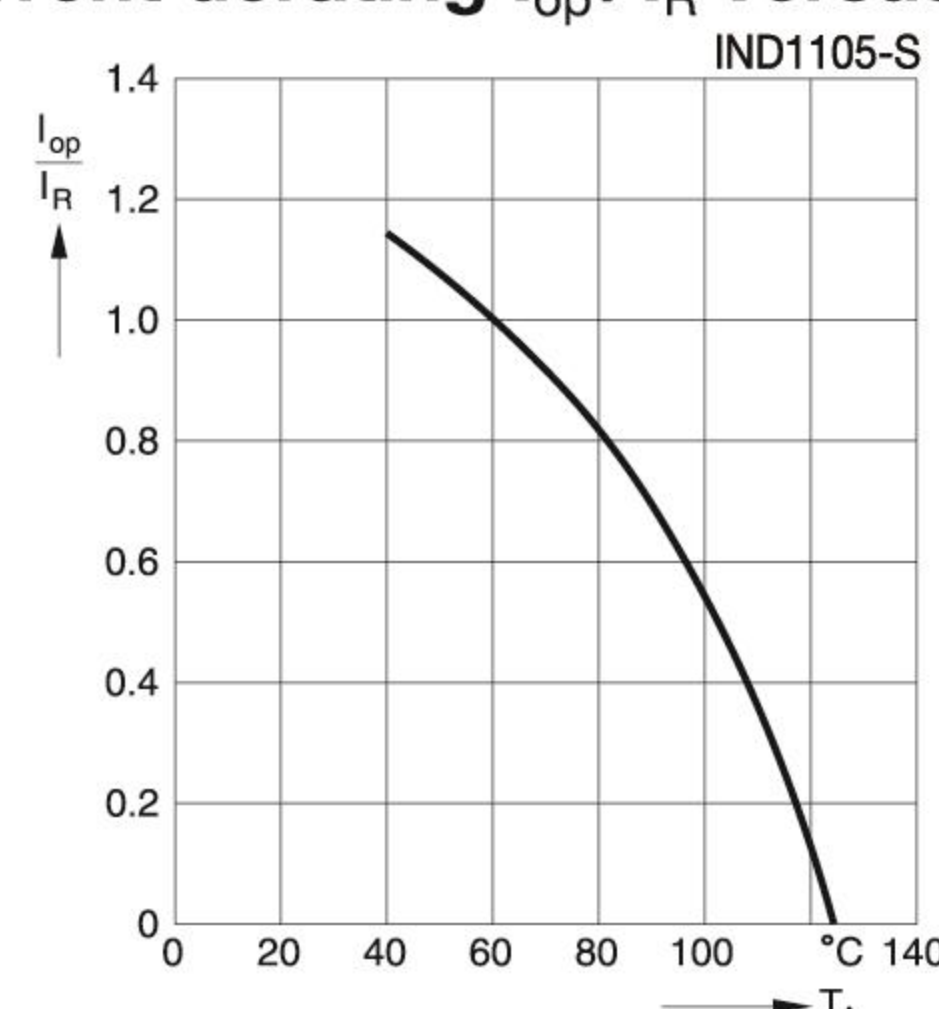


Horizontal version FACM22H

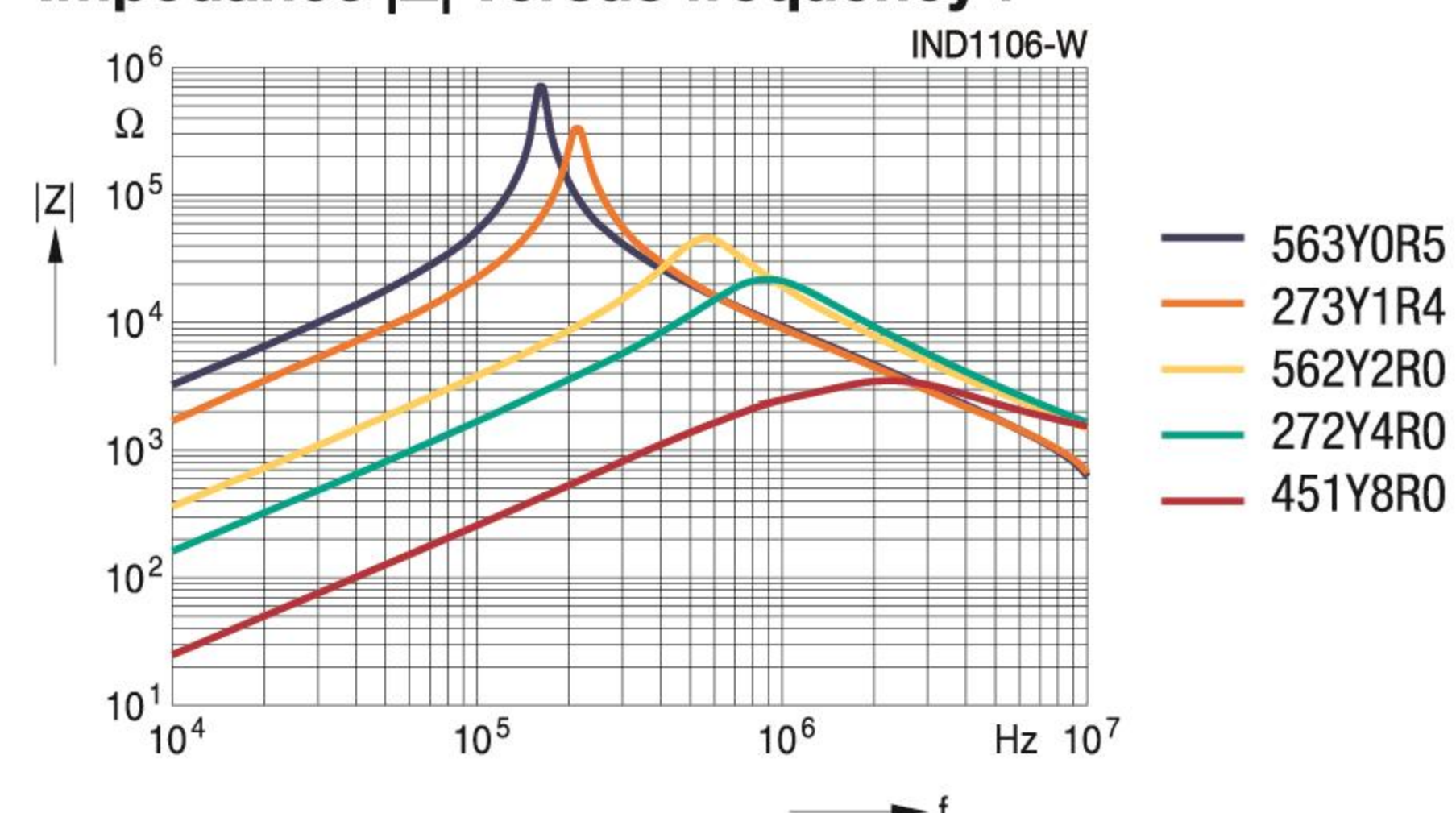


Tolerances to ISO 2768-C unless otherwise noted. Dimensions in mm.

## Current derating $I_{op}/I_R$ versus temperature T



## Impedance $|Z|$ versus frequency f



**FUAN ELECTRONICS**

EML: sales@fuantronics.net | TEL: +86(514)8769-3589 | WEB: www.fuantronics.net

