

INTERNATIONAL HIGH POWER TRANSFORMERS

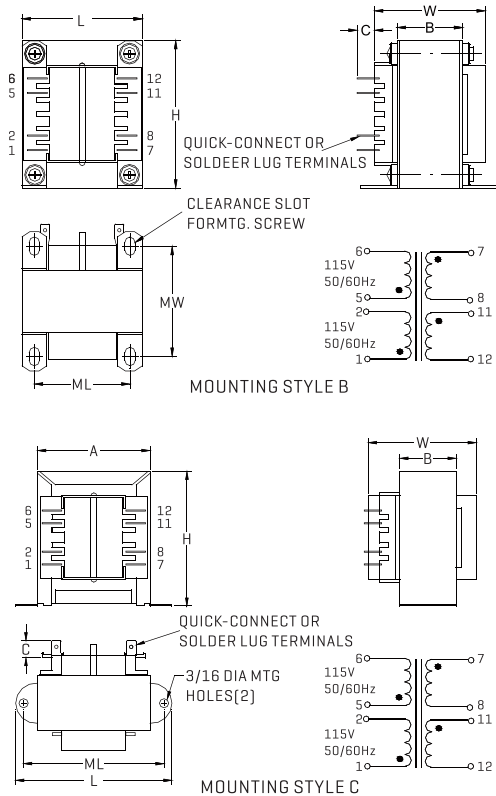


All parts meet RoHS compliance.

FEATURES

- Power - 25VA to 175VA
- Chassis mounting
- Dual bobbin; double reinforced insulation
- High (4000V) isolation
- No crossover between primary and secondary winding leads
- Primaries : Dual primaries [115V/230V - 50/60Hz]
- Secondaries can be series or parallel connected

PHYSICAL CHARACTERISTICS



ELECTRICAL CHARACTERISTICS AT 25°C

Part Number	VA	Secondary RMS Rating	
		Series	Parallel
FAPA-25-10	25	10V C.T. @ 2.5A	5V @ 5.0A
FAPA-43-10	43	10V C.T. @ 4.3A	5V @ 8.6A
FAPA-80-10	80	10V C.T. @ 8.0A	5V @ 16.0A
FAPA-130-10	130	10V C.T. @ 13.0A	5V @ 26.0A
FAPA-175-10	175	10V C.T. @ 17.5A	5V @ 35.0A
FAPA-25-12	25	12.6V C.T. @ 2.0A	6.3V @ 4.0A
FAPA-43-12	43	12.6V C.T. @ 3.4A	6.3V @ 6.8A
FAPA-80-12	80	12.6V C.T. @ 6.3A	6.3V @ 12.6A
FAPA-130-12	130	12.6V C.T. @ 10.3A	6.3V @ 20.6A
FAPA-175-12	175	12.6V C.T. @ 14.0A	6.3V @ 28.0A
FAPA-25-16	25	16V C.T. @ 1.6A	8V @ 3.2A
FAPA-43-16	43	16V C.T. @ 2.7A	8V @ 5.4A
FAPA-80-16	80	16V C.T. @ 5.0A	8V @ 10.0A
FAPA-130-16	130	16V C.T. @ 8.1A	8V @ 16.2A
FAPA-175-16	175	16V C.T. @ 11.0A	8V @ 22.0A
FAPA-25-20	25	20V C.T. @ 1.25A	10V @ 2.5A
FAPA-43-20	43	20V C.T. @ 2.2A	10V @ 4.4A
FAPA-80-20	80	20V C.T. @ 4.0A	10V @ 8.0A
FAPA-130-20	130	20V C.T. @ 6.5A	10V @ 13.0A
FAPA-175-20	175	20V C.T. @ 8.8A	10V @ 17.6A
FAPA-25-24	25	24V C.T. @ 1A	12V @ 2A
FAPA-43-24	43	24V C.T. @ 1.8A	12V @ 3.6A
FAPA-80-24	80	24V C.T. @ 3.3A	12V @ 6.6A
FAPA-130-24	130	24V C.T. @ 5.4A	12V @ 10.8A
FAPA-175-24	175	24V C.T. @ 7.3A	12V @ 14.6A
FAPA-25-28	25	28V C.T. @ 0.9A	14V @ 1.86A
FAPA-43-28	43	28V C.T. @ 1.5A	14V @ 3.0A
FAPA-80-28	80	28V C.T. @ 2.8A	14V @ 5.6A
FAPA-130-28	130	28V C.T. @ 4.6A	14V @ 9.2A
FAPA-175-28	175	28V C.T. @ 6.25A	14V @ 12.5A
FAPA-25-36	25	36V C.T. @ 0.7A	18V @ 1.4A
FAPA-43-36	43	36V C.T. @ 1.2A	18V @ 2.4A
FAPA-80-36	80	36V C.T. @ 2.2A	18V @ 4.4A
FAPA-130-36	130	36V C.T. @ 3.6A	18V @ 7.2A
FAPA-175-36	175	36V C.T. @ 4.8A	18V @ 9.6A
FAPA-25-230	25	230V C.T. @ 0.11A	115V @ 0.22A
FAPA-43-230	43	230V C.T. @ 0.19A	115V @ 0.38A
FAPA-80-230	80	230V C.T. @ 0.35A	115V @ 0.7A
FAPA-130-230	130	230V C.T. @ 0.57A	115V @ 1.14A
FAPA-175-230	175	230V C.T. @ 0.76A	115V @ 1.52A

VA	Dimensions						Terminals C
	L	W	H	A	B	C	
25	71.4	47.5	58.7	50.8	28.4	7.9	4.7
43	79.2	52.3	68.1	57.2	28.4	7.9	4.7
80	63.5	60.2	76.2	---	34.8	7.9	4.7
130	71.4	72.9	85.6	---	41.1	9.4	6.4
175	79.2	72.9	95.3	---	41.1	9.4	6.4

VA	Mtg. Style	Mtg. Dim.		Mtg. Screw	Wgt
		ML	MW		
25	C	60.2	---	#6	566g
43	C	71.4	---	#6	724g
80	B	50.8	55.4	#6	1268g
130	B	57.2	63.5	#8	1857g
175	B	63.5	63.5	#8	2491g

ALL DIMENSIONS IN MM