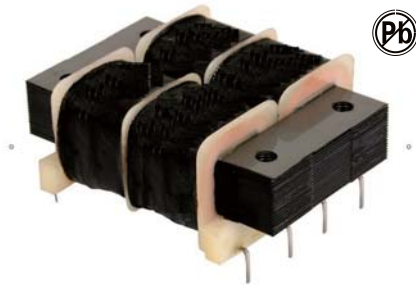


LOW PROFILE PLUG-IN TRANSFORMERS



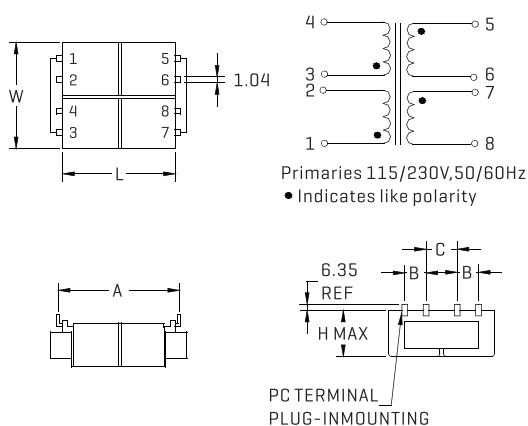
for limited-space PC board applications

These low-profile Plug-in power transformers are wound in a semi-toroidal configuration to minimize both EMI and unit height. They are designed for low-height critical pc board applications in semi-conductor control and instrumentation and for use in single, dual, or reference dc supplies and isolated control circuits. Available in five sizes. All parts meet RoHS compliance.

FEATURES

Low height profile
1500V RMS HIPOT
PRIMARY : dual primaries [115V/230V] 50/60Hz
SECONDARY : Series or parallel
Vacuum impregnated
Baked resin -- provides fully cured and environmentally
Sizes 2, 6, and 12 are available as encapsulated and hermetically sealed [request drawings].

PHYSICAL CHARACTERISTICS



ALL DIMENSIONS IN MM

Size	L	W	H	A	B	C	Wgt	Reg. [%] (Typ.)
2	47.6	39.7	16.5	40.6	9.5	9.5	141g	20
6	47.6	39.7	21.6	40.6	9.5	9.5	198g	18
12	63.5	50.8	27.1	50.8	12.7	12.7	311g	15
24	73.0	57.2	31.8	48.3	15.2	13.5	425g	15
48	79.4	63.5	34.9	55.4	15.2	16.8	595g	12

ELECTRICAL CHARACTERISTICS AT 25°C

Part Number	VA	Secondary RMS Rating Series	Parallel
FAPL-10-250	2	10V C.T. @ 250mA	5V @ 500mA
FAPL-10-600	6	10V C.T. @ 600mA	5V @ 1.20A
FAPL-10-1200	12	10V C.T. @ 1.20A	5V @ 2.40A
FAPL-10-2400	24	10V C.T. @ 2.40A	5V @ 4.80A
FAPL-10-4800	48	10V C.T. @ 4.80A	5V @ 9.60A
FAPL-12-200	2	12.6V C.T. @ 200mA	6.3V @ 400mA
FAPL-12-450	6	12.6V C.T. @ 450mA	6.3V @ 900mA
FAPL-12-900	12	12.6V C.T. @ 900mA	6.3V @ 1.80A
FAPL-12-1900	24	12.6V C.T. @ 1.90A	6.3V @ 3.80A
FAPL-12-3800	48	12.6V C.T. @ 3.80A	6.3V @ 7.60A
FAPL-16-150	2	16V C.T. @ 150mA	8V @ 300mA
FAPL-16-350	6	16V C.T. @ 350mA	8V @ 700mA
FAPL-16-700	12	16V C.T. @ 700mA	8V @ 1.40A
FAPL-16-1500	24	16V C.T. @ 1.50A	8V @ 3.00A
FAPL-16-3000	48	16V C.T. @ 3.00A	8V @ 6.00A
FAPL-18-135	2	18V C.T. @ 135mA	9V @ 270mA
FAPL-18-325	6	18V C.T. @ 325mA	9V @ 650mA
FAPL-18-650	12	18V C.T. @ 650mA	9V @ 1.30A
FAPL-18-1300	24	18V C.T. @ 1.30A	9V @ 2.60A
FAPL-18-2600	48	18V C.T. @ 2.60A	9V @ 5.20A
FAPL-20-125	2	20V C.T. @ 125mA	10V @ 250mA
FAPL-20-300	6	20V C.T. @ 300mA	10V @ 600mA
FAPL-20-600	12	20V C.T. @ 600mA	10V @ 1.20A
FAPL-20-1200	24	20V C.T. @ 1.20A	10V @ 2.40A
FAPL-20-2400	48	20V C.T. @ 2.40A	10V @ 4.80A
FAPL-24-100	2	24V C.T. @ 100mA	12V @ 200mA
FAPL-24-250	6	24V C.T. @ 250mA	12V @ 500mA
FAPL-24-500	12	24V C.T. @ 500mA	12V @ 1.00A
FAPL-24-1000	24	24V C.T. @ 1.00A	12V @ 2.00A
FAPL-24-2000	48	24V C.T. @ 2.00A	12V @ 4.00A
FAPL-28-90	2	28V C.T. @ 90mA	14V @ 180mA
FAPL-28-215	6	28V C.T. @ 215mA	14V @ 430mA
FAPL-28-430	12	28V C.T. @ 430mA	14V @ 860mA
FAPL-28-850	24	28V C.T. @ 850mA	14V @ 1.70A
FAPL-28-1700	48	28V C.T. @ 1.70A	14V @ 3.40A
FAPL-30-85	2	30V C.T. @ 85mA	15V @ 170mA
FAPL-30-200	6	30V C.T. @ 200mA	15V @ 400mA
FAPL-30-400	12	30V C.T. @ 400mA	15V @ 800mA
FAPL-30-800	24	30V C.T. @ 800mA	15V @ 1.60A
FAPL-30-1600	48	30V C.T. @ 1.60A	15V @ 3.20A
FAPL-34-75	2	34V C.T. @ 75mA	17V @ 150mA
FAPL-34-170	6	34V C.T. @ 170mA	17V @ 340mA
FAPL-34-340	12	34V C.T. @ 340mA	17V @ 680mA
FAPL-34-700	24	34V C.T. @ 700mA	17V @ 1.40A
FAPL-34-1400	48	34V C.T. @ 1.40A	17V @ 2.80A
FAPL-40-60	2	40V C.T. @ 60mA	20V @ 120mA
FAPL-40-150	6	40V C.T. @ 150mA	20V @ 300mA
FAPL-40-300	12	40V C.T. @ 300mA	20V @ 600mA
FAPL-40-600	24	40V C.T. @ 600mA	20V @ 1.20A
FAPL-40-1200	48	40V C.T. @ 1.20A	20V @ 2.40A
FAPL-56-45	2	56V C.T. @ 45mA	28V @ 90mA
FAPL-56-100	6	56V C.T. @ 100mA	28V @ 200mA
FAPL-56-200	12	56V C.T. @ 200mA	28V @ 400mA
FAPL-56-425	24	56V C.T. @ 425mA	28V @ 850mA
FAPL-56-850	48	56V C.T. @ 850mA	28V @ 1.70A
FAPL-88-28	2	88V C.T. @ 28mA	44V @ 56mA
FAPL-88-65	6	88V C.T. @ 65mA	44V @ 130mA
FAPL-88-130	12	88V C.T. @ 130mA	44V @ 260mA
FAPL-120-20	2	120V C.T. @ 20mA	60V @ 40mA
FAPL-120-50	6	120V C.T. @ 50mA	60V @ 100mA
FAPL-120-100	12	120V C.T. @ 100mA	60V @ 200mA
FAPL-230-10	2	230V C.T. @ 10mA	115V @ 20mA
FAPL-230-25	6	230V C.T. @ 25mA	115V @ 50mA
FAPL-230-50	12	230V C.T. @ 50mA	115V @ 100mA