

THROUGH-HOLE CURRENT SENSOR TRANSFORMERS FAACST010-013 SERIES



FEATURES

Low profile, directly to PCB.
PBT 94V0 Case burn-resistant epoxy resin, stable.

OPTIONS

Bulk packaging is standard
Custom design available

COMMON APPLICATIONS

AC energy Meter Power transducer RTU
Protection current transformer
AC kilowatt hour meter
Electrical monitoring system

ELECTRICAL CHARACTERISTICS

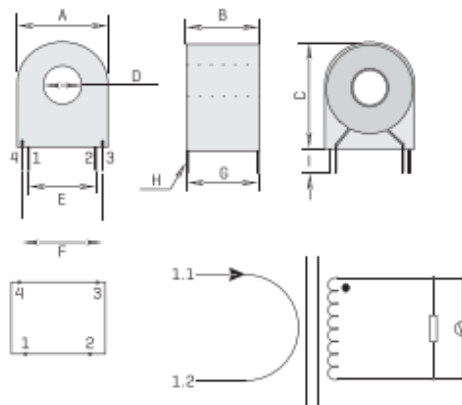
Performance&Specification for High Precision Current Test

Part Number	Rated primary current(A)	Max primary current(A)	Rated secondary current(mA)	Current ratio	Output ratio (Ω)	Accuracy class
FAACST010A/5	5	40	2.5	2000:1	100	0.2,0.5
FAACST010A/10	10	40	4	2500:1	100	0.2,0.5
FAACST010A/20	20	40	10	2000:1	100	0.1,0.2,0.5
FAACST011A/10	10	60	4	2500:1	100	0.1,0.2,0.5
FAACST011A/20	20	60	10	2000:1	100	0.1,0.2,0.5
FAACST011A/40	40	60	20	2000:1	100	0.1,0.2,0.5
FAACST012A/60	60	120	24	2500:1	100	0.1,0.2,0.5
FAACST012A/80	80	120	32	2500:1	100	0.1,0.2,0.5
FAACST012A/120	120	120	48	2500:1	100	0.1,0.2,0.5
FAACST013A/100	100	200	40	2500:1	100	0.1,0.2,0.5
FAACST013A/100	100	200	50	2000:1	100	0.1,0.2,0.5
FAACST013A/200	200	200	80	2500:1	100	0.1,0.2,0.5

Performance&Specification for Protection Precision Current Test

Part Number	Rated primary current(A)	Max primary current(A)	Rated secondary current(mA)	Resistance load (Ω)	Output ratio (Ω)	Accuracy class
FAACST010B	5	60	5	100	0.5	0.5,1.0
FAACST010B	10	60	10	100	1.0	0.5,1.0
FAACST010B	15	60	15	100	1.5	0.5,1.0
FAACST011B	20	60	20	100	2.0	0.5,1.0
FAACST011B	25	75	25	100	2.5	0.5,1.0
FAACST011B	30	75	30	100	3.0	0.5,1.0
FAACST012B	40	75	40	100	4.0	0.5,1.0
FAACST012B	50	125	50	100	5.0	0.5,1.0
FAACST012B	60	125	60	100	6.0	0.5,1.0
FAACST013B	75	125	75	100	7.5	0.5,1.0
FAACST013B	100	250	100	100	10.0	0.5,1.0
FAACST013B	150	250	150	100	15.0	0.5,1.0

TECHNICAL INFORMATION & PHYSICAL CHARACTERISTICS:



ALL DIMENSIONS IN MM

- Working Frequency range 20Hz-400Hz
- Insulation resistance: 500V DC >100MΩ
- Hi-Pot : 4000V 1mA 60S
- Temperature range: -25°C to +85°C
- Storage Temperature: -40°C to +105°C
- Resistance to soldering heat:260°C for 10 seconds
- Marking: Part number and date code

Note: All specifications subject to change without notice.

	A	B	C	D	E	F	G	H	I
FAACST010	23.5	12.5	25.0	7.0	15.0	18.5	10.5	1.0	6.0
FAACST011	26.0	17.0	29.0	9.0	15.0	18.5	15.0	1.0	6.0
FAACST012	37.0	14.0	39.0	13.0	25.0	32.5	11.0	1.0	6.0
FAACST013	49.0	20.0	54.0	18.5	29.5	37.0	17.5	1.0	6.0