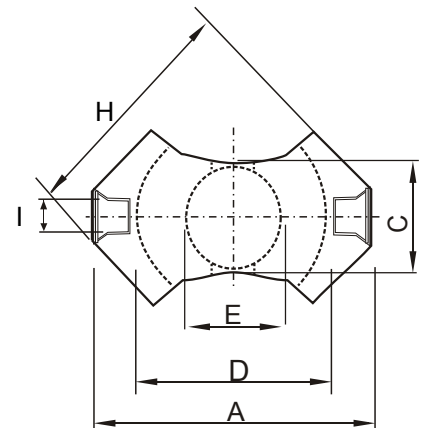
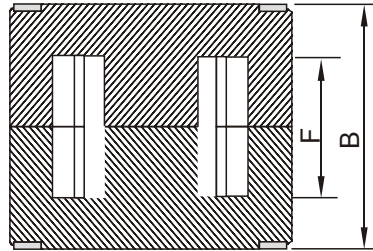


Dimension: (UNIT:mm)

| | |
|---|--------------|
| A | 10.75 ± 0.25 |
| B | 10.4 ± 0.1 |
| C | 4.5 ± 0.1 |
| D | 8.15 ± 0.2 |
| E | 3.8 ± 0.1 |
| F | 7.2 ± 0.2 |
| H | 9.6 ± 0.2 |
| I | 2.5 ± 0.1 |



Test conditions

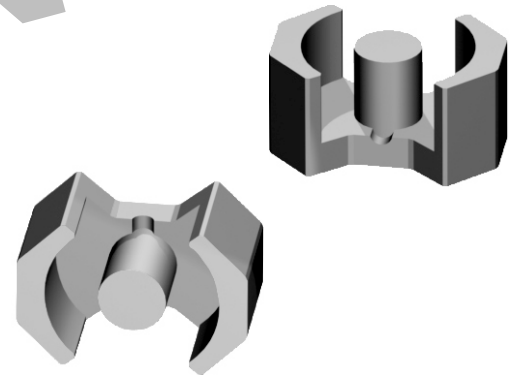
AL: F=10.0KHz U=0.3V N=10Ts

Effective parameter

| C1(mm) ⁻¹ | Ae(mm ²) | Le(mm) | Ve(mm ³) | Weight(g) |
|----------------------|----------------------|--------|----------------------|-----------|
| 1.69 | 11.5 | 23.3 | 322 | ≈1.7 |

Core sets for general purpose transformers and Power applications.

Clamping force for Al measurements, 10+/-5N.



Properties of core sets under power conditions

| Grade | AL (nH) | μe | AIR GAP μm | Type number |
|-------|------------|--------|------------|-------------|
| P3 | 1125 ± 25% | ≈ 1510 | ≈ 0 | RM4-P3 |
| P4 | 1125 ± 25% | ≈ 1510 | ≈ 0 | RM4-P4 |
| HQ2KA | 1000 ± 25% | ≈ 1340 | ≈ 0 | RM4-HQ2KA |
| HQ2K | 100 ± 3% | ≈ 134 | ≈ 200 | RM4-HQ2K |
| | 160 ± 3% | ≈ 215 | ≈ 110 | RM4-HQ2K |
| | 250 ± 10% | ≈ 336 | ≈ 60 | RM4-HQ2K |
| | 950 ± 25% | ≈ 1280 | ≈ 0 | RM4-HQ2K |
| P5 | 800 ± 25% | ≈ 1080 | ≈ 0 | RM4-P5 |

| Grade | B (mT)at | Core loss (w) at | | | |
|-------|---------------------------------|---------------------------------|----------------------------------|----------------------------------|---------------------------------|
| | H=250 A/m F=25KHz T=100°C | F=25 KHz B̂=200mT T=100°C | f=100 KHz B̂=100mT T=100°C | F=100 KHz B̂=200mT T=100°C | F=400 KHz B̂=50mT T=100°C |
| P3 | ≥ 320 | ≤ 0.04 | ≤ 0.04 | - | - |
| P4 | ≥ 320 | - | ≤ 0.03 | ≤ 0.2 | - |
| HQ2KA | ≥ 340 | - | ≤ 0.025 | ≤ 0.15 | ≤ 0.07 |
| HQ2K | ≥ 300 | - | ≤ 0.05 | - | ≤ 0.07 |
| P5 | ≥ 300 | - | - | - | ≤ 0.04 |

Properties of core sets under power conditions (continued)

Core sets of high permeability grades.
Clamping force for Al measurements, 10+/-5N

| Grade | AL (nH) | μe | AIR GAP μm | Type number |
|-------|--------------|--------|------------|-------------|
| H10K | 3500+40/-30% | ≈ 4700 | ≈ 0 | RM4-H10K |

| Grade | B (mT)at | Core loss (w) at | | | | |
|-------|---------------------------------|---------------------------------|----------------------------------|---------------------------------|---------------------------------|--------------------------------|
| | H=250 A/m F=25KHz T=100°C | F=500 KHz B̂=50mT T=100°C | F=500 KHz B̂=100mT T=100°C | F=1.0 MHz B̂=30mT T=100°C | F=1.0 MHz B̂=50mT T=100°C | F=3.0MHz B̂=10mT T=100°C |
| P3 | ≥ 320 | - | - | - | - | - |
| P4 | ≥ 320 | - | - | - | - | - |
| HQ2KA | ≥ 340 | ≤ 0.15 | - | - | - | - |
| HQ2K | ≥ 300 | - | - | - | - | - |
| P5 | ≥ 300 | ≤ 0.05 | ≤ 0.4 | - | - | - |

Note:

- 1: Document is the property of FUAN Inc & is not allow to be duplicated without authorization
- 2: RoHS compliant.