

Quad port transformer modules 72Pin series

FEATURES

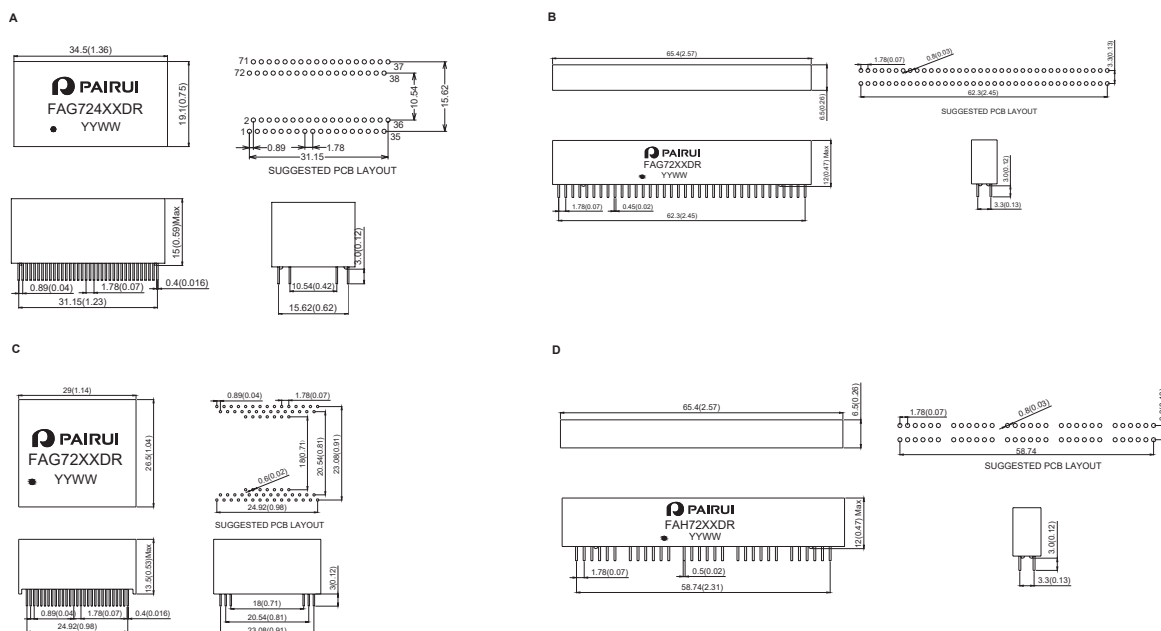
Cable interface for isolation and low common mode emissions
Compliant with IEEE 802.3 standard for 1000Base-T
RoHS compliant



Electrical Specification@25°C Operating Temperature 0 to 70°C

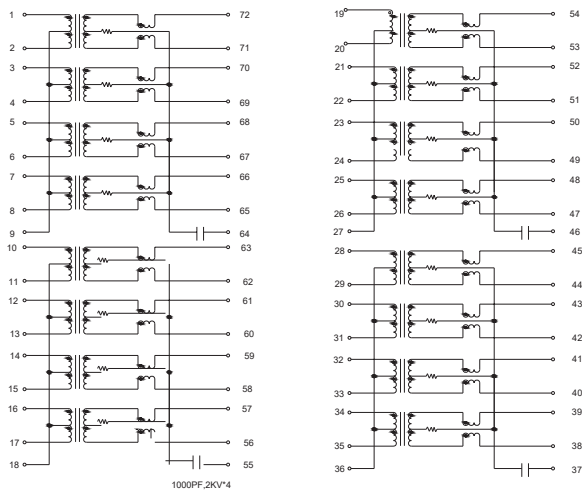
Part Number	Insertion Loss (dB Max) 1-125MHz	Return Loss (dB Typical) MHz				CMRR (dB Min) MHz		Cross talk (dB Min) MHz		Isolation Voltage (Vrms Min)	Package
		1-30	40	50	60-80	0.1-60	60-100	0.1-60	60-100		
FAG7201DR	-1.0	-18	-14.4	-13.1	-12	-42	-40	-40	-38	1500	A
FAG7202DR	-1.0	-18	-14.4	-13.1	-12	-42	-40	-40	-38	1500	B
FAG7203DR	-1.0	-18	-14.4	-13.1	-12	-42	-40	-40	-38	1500	C
FAG7204DR	-1.0	-18	-14.4	-13.1	-12	-42	-40	-40	-38	1500	C
FAG7205DR	-1.0	-18	-14.4	-13.1	-12	-42	-40	-40	-38	1500	A
FAG7206DR	-1.0	-18	-14.4	-13.1	-12	-42	-40	-40	-38	1500	C
FAG7207DR	-1.0	-18	-14.4	-13.1	-12	-42	-40	-40	-38	1500	A
FAG7208DR	-1.0	-18	-14.4	-13.1	-12	-42	-40	-40	-38	1500	B
FAG7209DR	-1.0	-18	-14.4	-13.1	-12	-42	-40	-40	-38	1500	A
FAG7210DR	-1.0	-18	-14.4	-13.1	-12	-42	-40	-40	-38	1500	C
FAG7211DR	-1.0	-18	-14.4	-13.1	-12	-42	-40	-40	-38	1500	C
FAH7201DR	-1.0	-18	-14.4	-13.1	-12	-42	-40	-40	-38	1500	D

Dimension : mm[inch]+/-0.25[0.01]

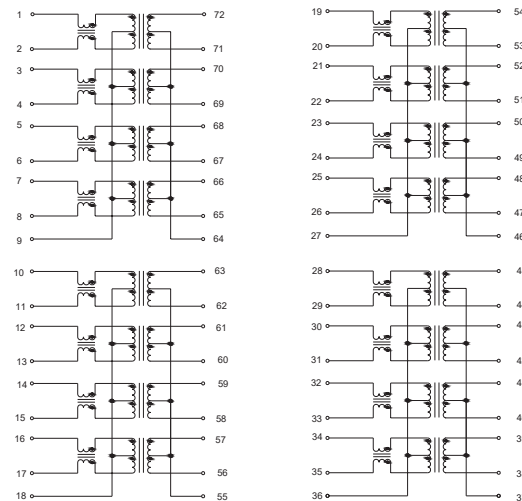


Schematic

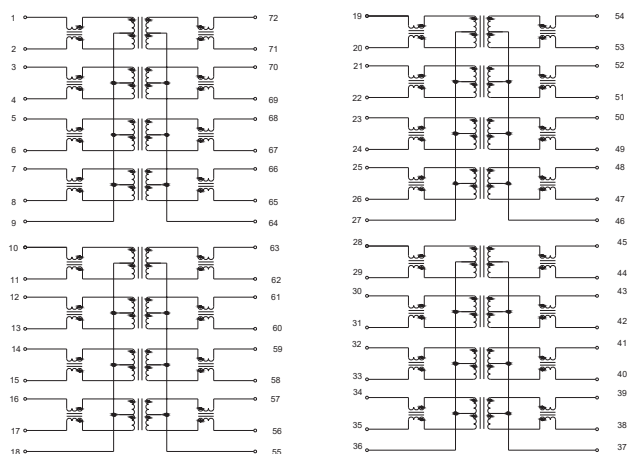
FAG7201DR,FAG7203DR



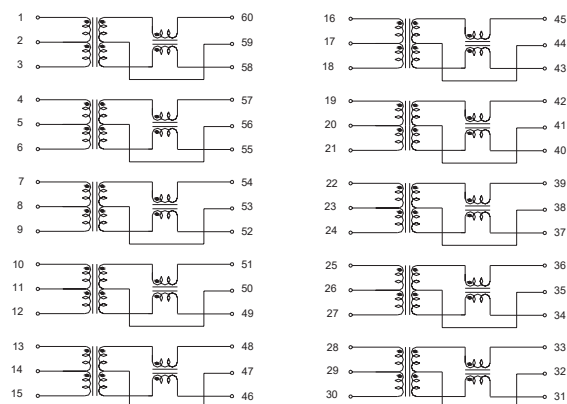
FAG7204DR,FAG7207DR



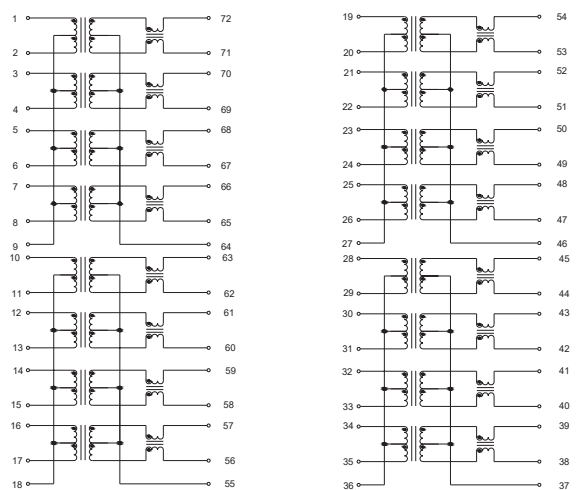
FAG7205DR, FAG7206DR



FAH7201DR



FAG7202DR,FAG7209DR,FAG7211DR



FAG7210DR

